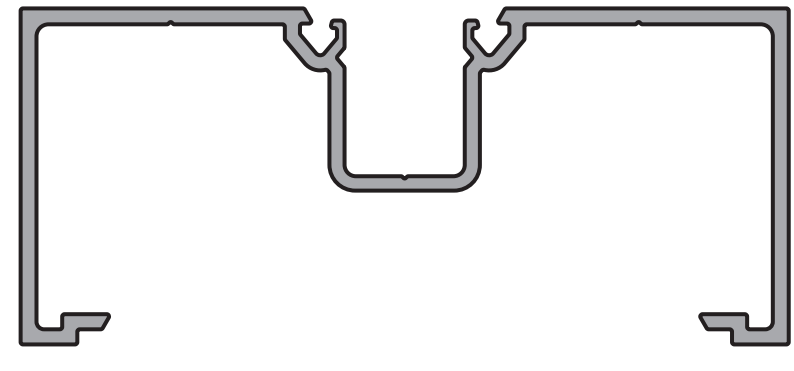
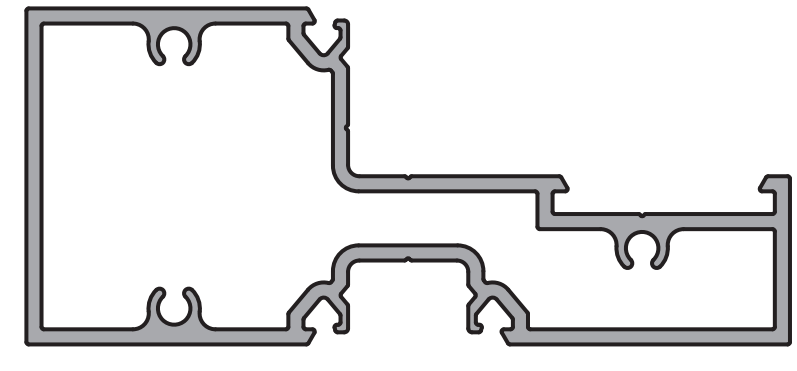


SF400
SF450
Fixed framing

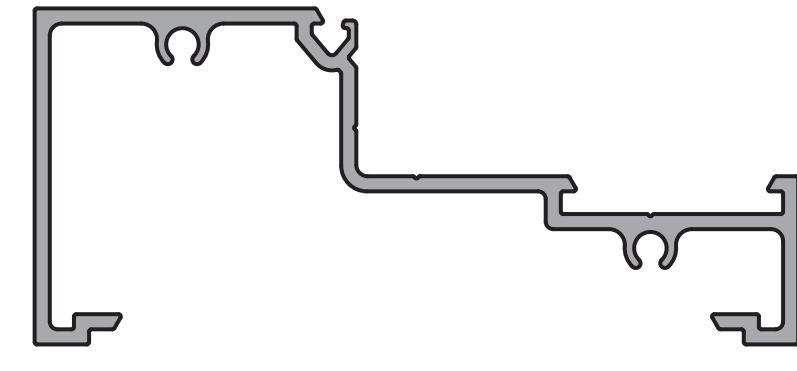
AYPC.SF.1101
Vertical mullion



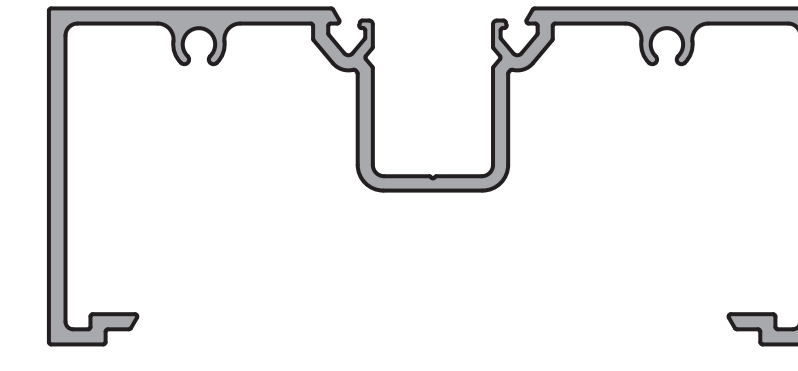
AYPC.SF.1201
Intermediate horizontal mullion



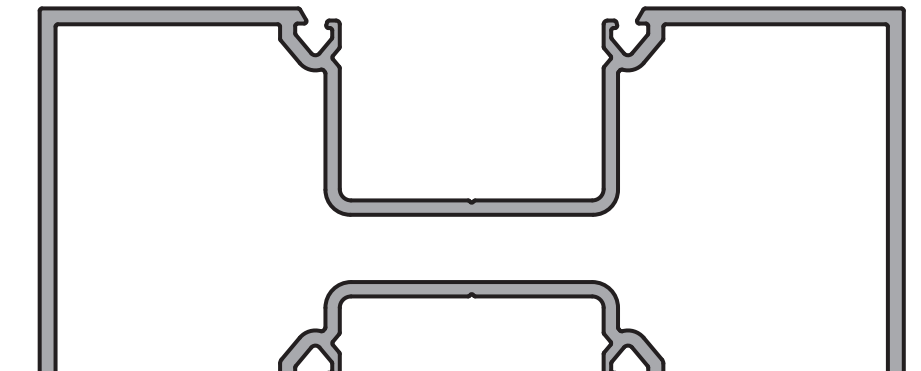
AYPC.SF.1202
Sill/Horizontal mullion



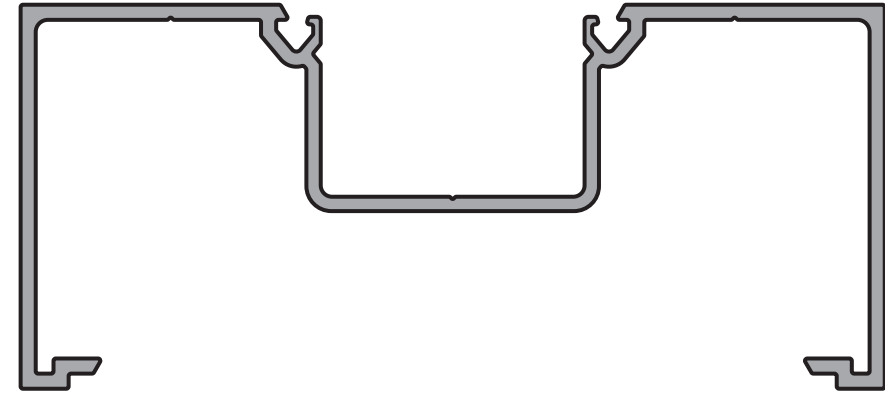
AYPC.SF.1203
Open back head / horizontal / mullion



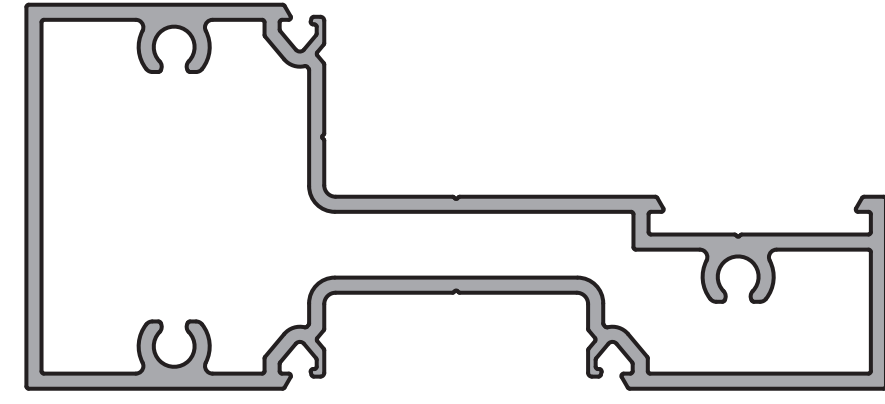
AYPC.SF.2101
Vertical mullion



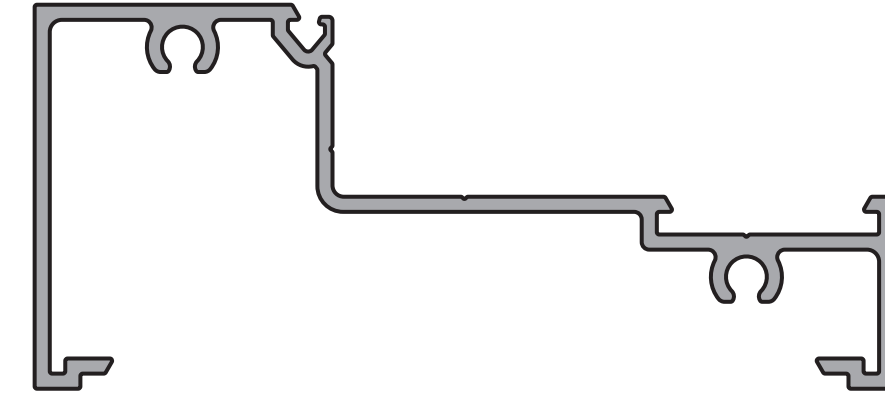
AYPC.SF.2102
Open back vertical mullion/jamb



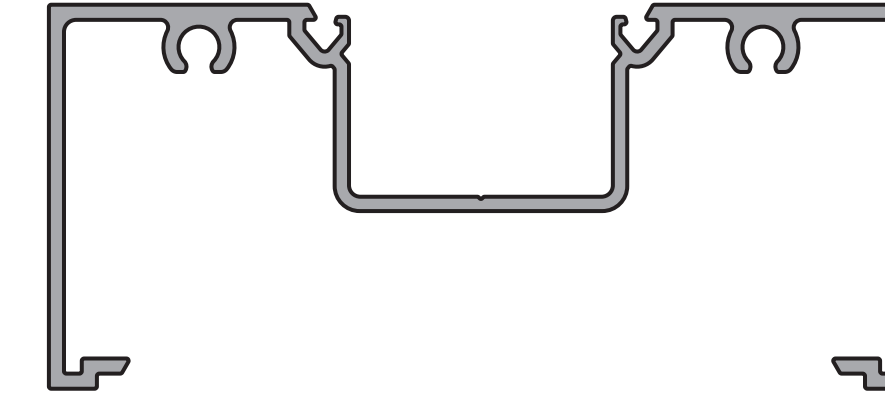
AYPC.SF.2201
Intermediate horizontal mullion



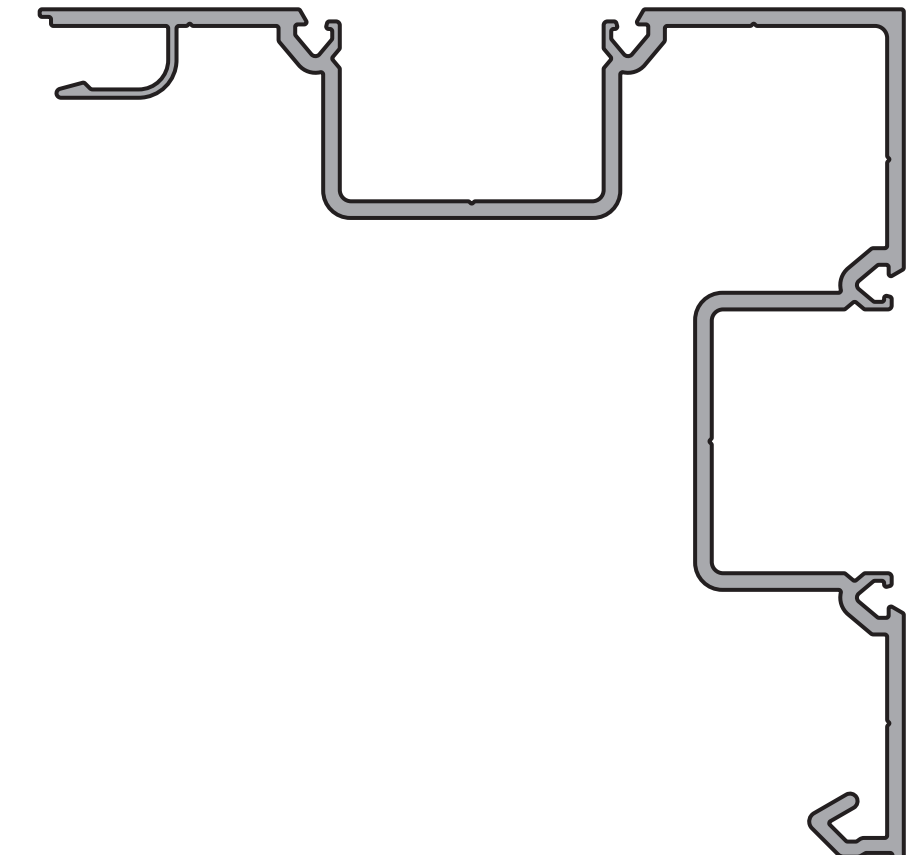
AYPC.SF.2202
Open back sill / horizontal mullion



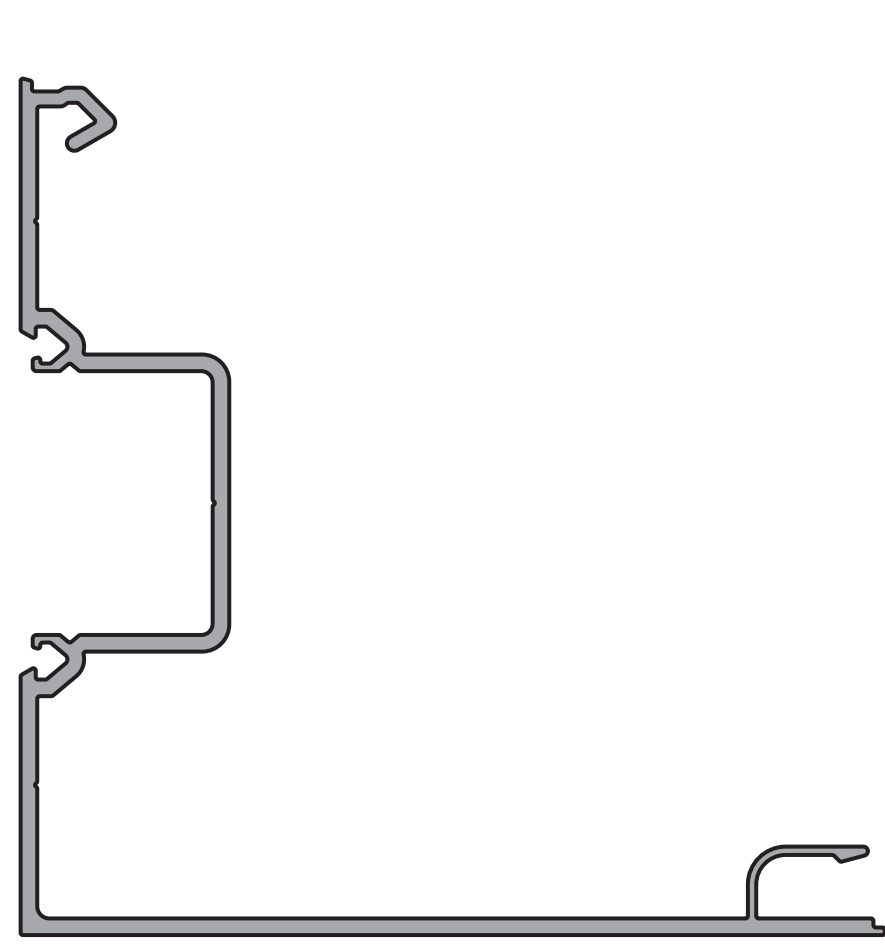
AYPC.SF.2203
Open back head / horizontal / mullion



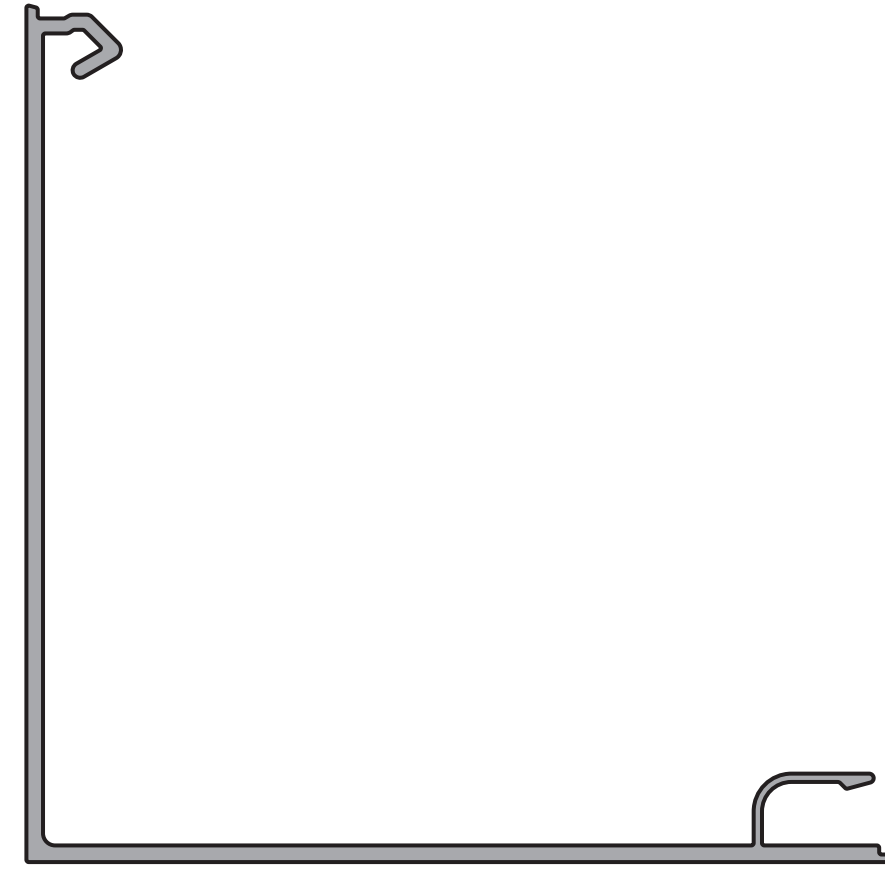
AYPC.SF.2103
90° Post mates with AYPC.SF.2105



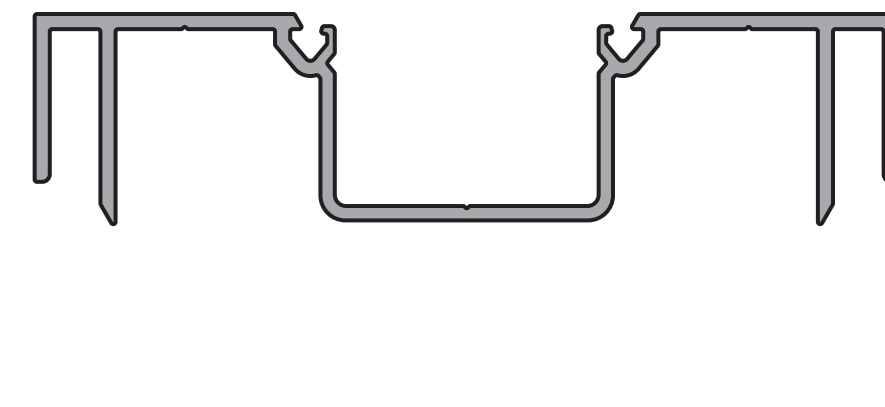
AYPC.SF.2104
Self mating 180° post



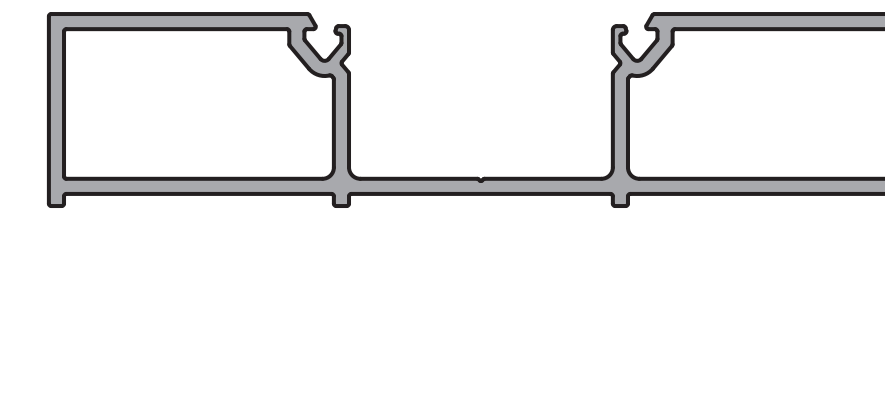
AYPC.SF.2105
Flat corner post mates with AYPC.SF.2103, AYPC.SF.2104



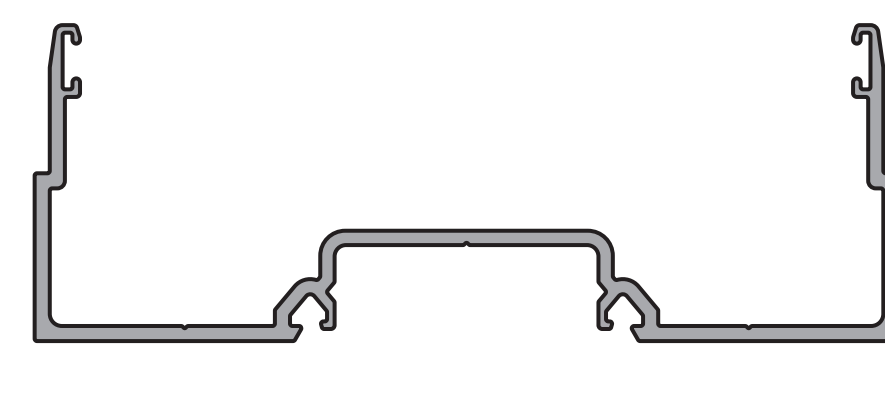
AYPC.SF.2106
Expansion mullion (requires AYPC.SF.2107)



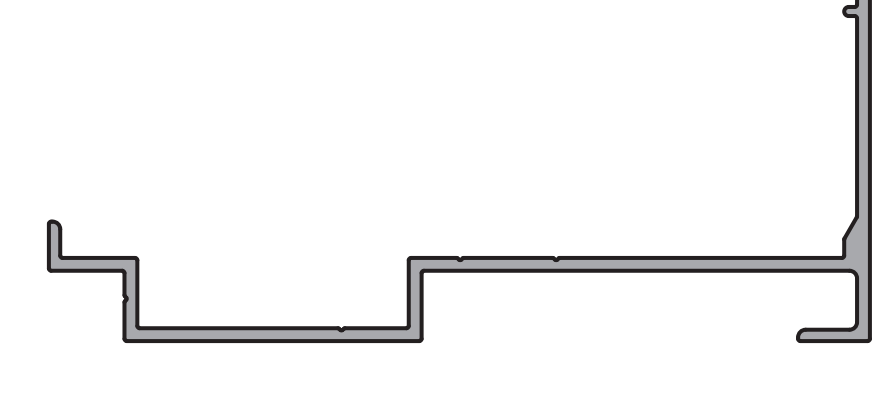
AYPC.SF.2108
Vertical mullion



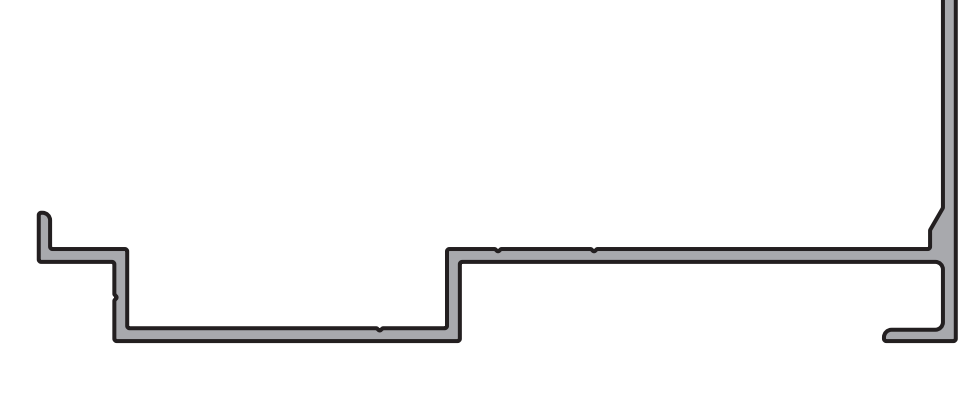
AYPC.SF.2107
Expansion mullion (requires AYPC.SF.2106)



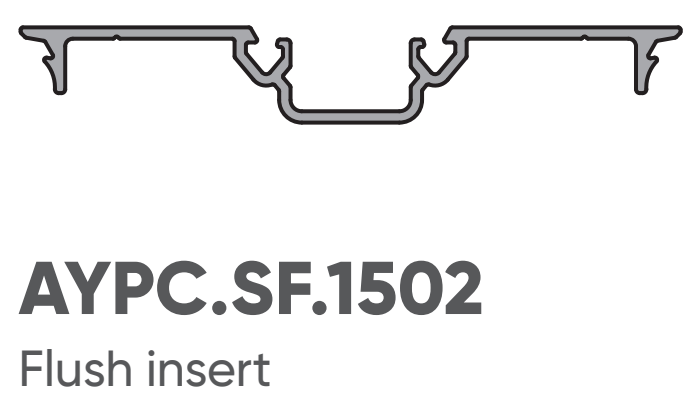
AYPC.SF.1401
Subsill



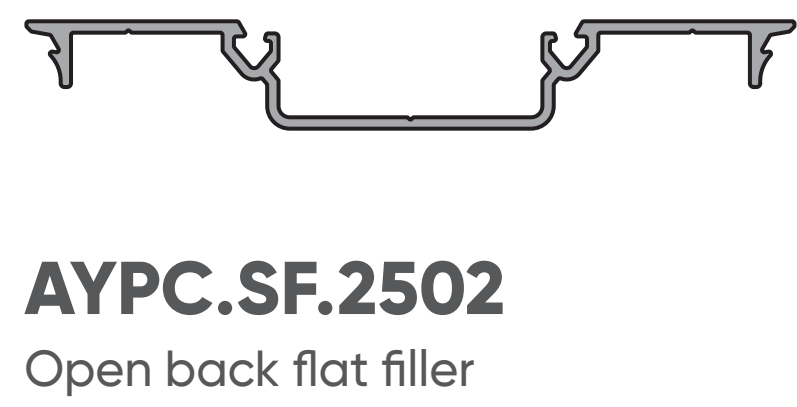
AYPC.SF.2401
Sub-sill (high back)



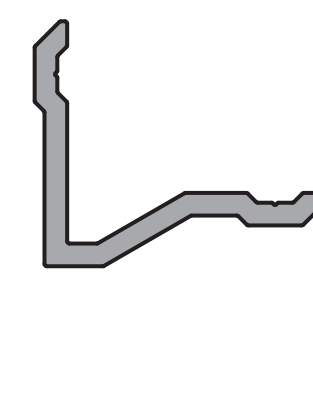
AYPC.SF.1501
Vertical/Horizontal filler



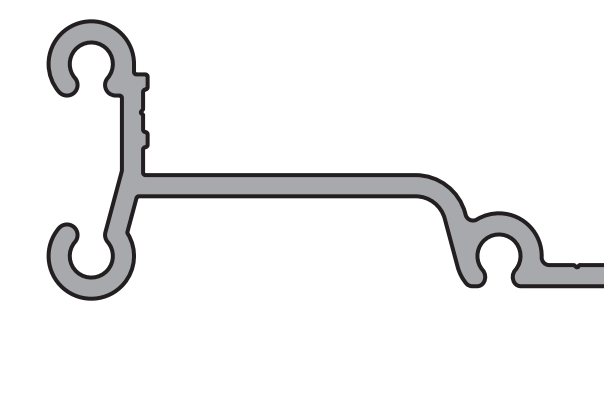
AYPC.SF.2501
Open back filler



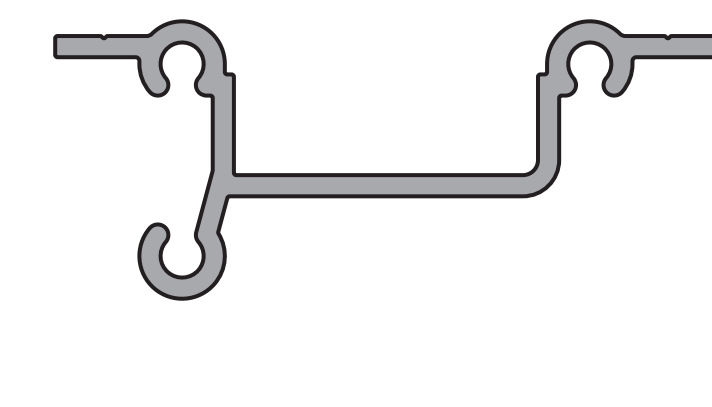
AYPC.SF.1512
Shear block



AYPC.SF.2601
Shear block



AYPC.SF.2602
Shear block



AYPC.SF.1502
Flush insert

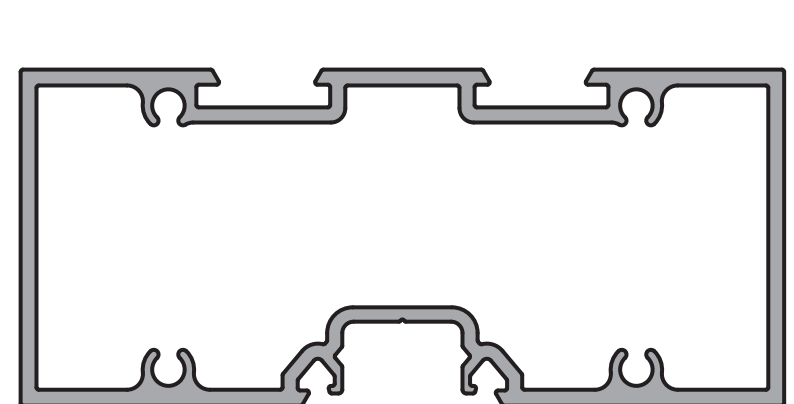


AYPC.SF.2502
Open back flat filler

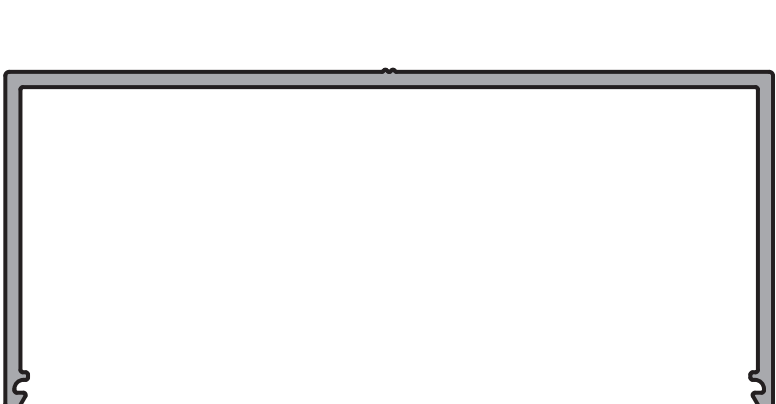


SF400
SF450
Door framing

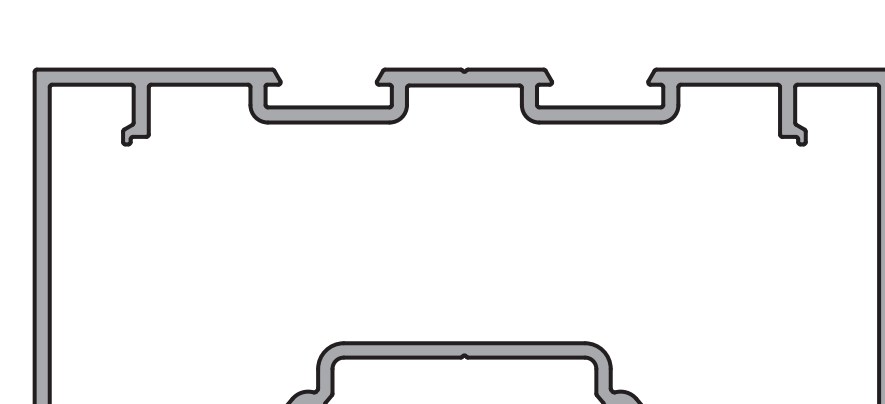
AYPC.SF.1301
Offset hung door header



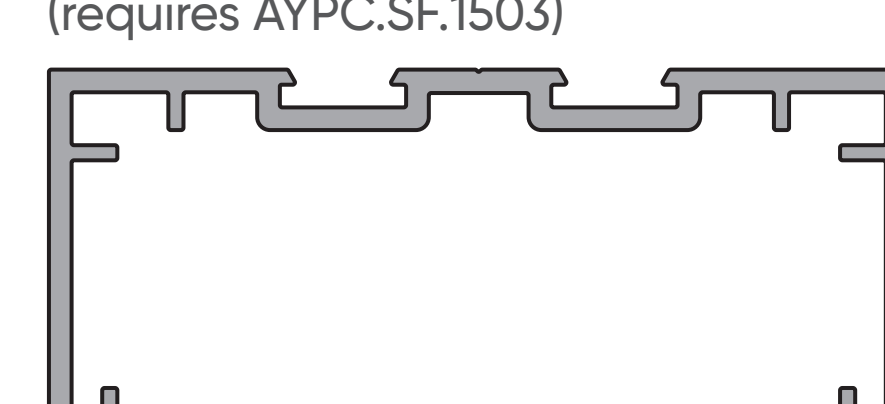
AYPC.SF.1302
Center hung door header



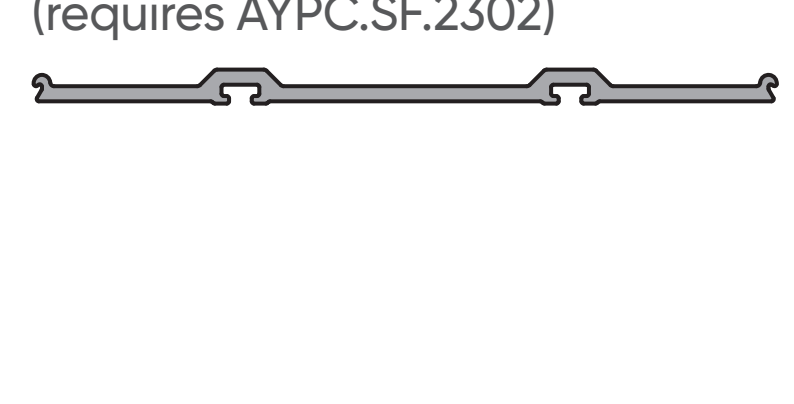
AYPC.SF.2301
Door header



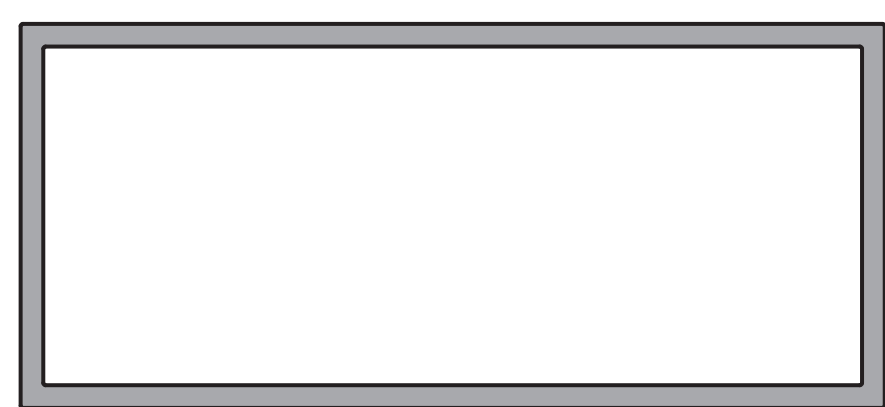
AYPC.SF.2302
Open back door header (requires AYPC.SF.1503)



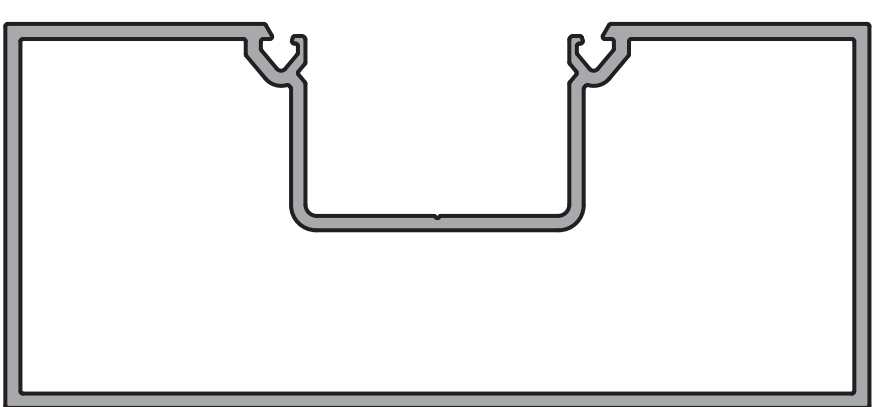
AYPC.SF.1503
Door header filler (requires AYPC.SF.2302)



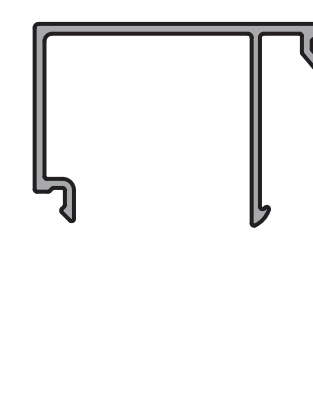
AYPC.SF.2303
2x4 1/2" tube



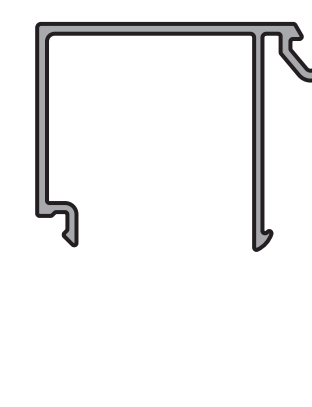
AYPC.SF.2304
Door jamb



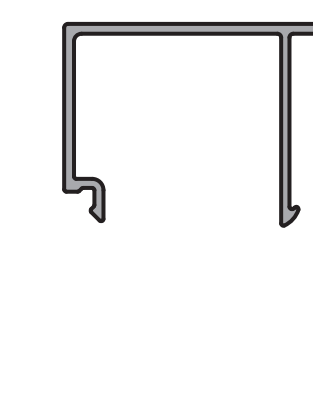
AYPC.SF.1504
Glass stop



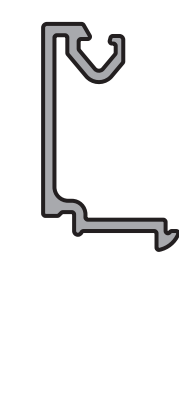
AYPC.SF.2504
Glass stop



AYPC.SF.1505
Glass stop door header



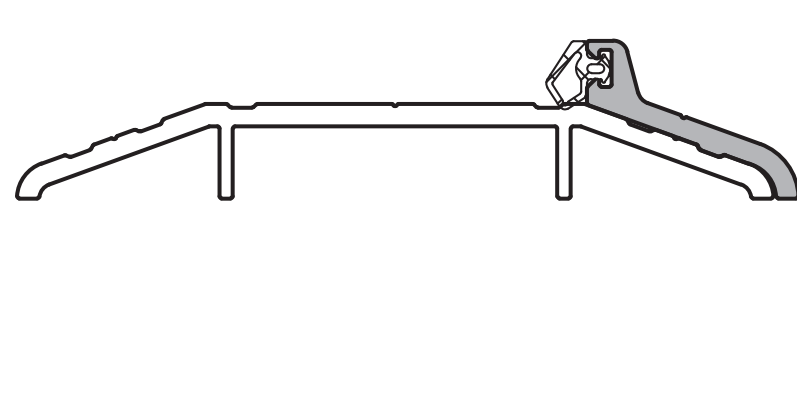
AYPC.SF.2505
Glass stop for sash



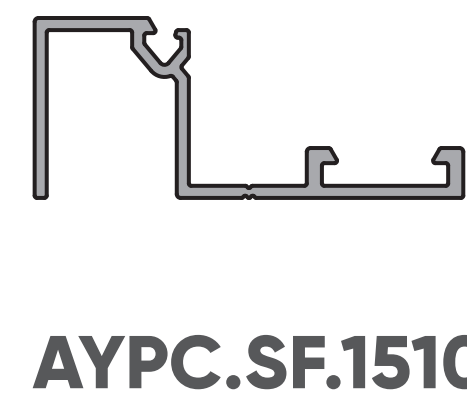
AYPC.SF.1306
Threshold 4"



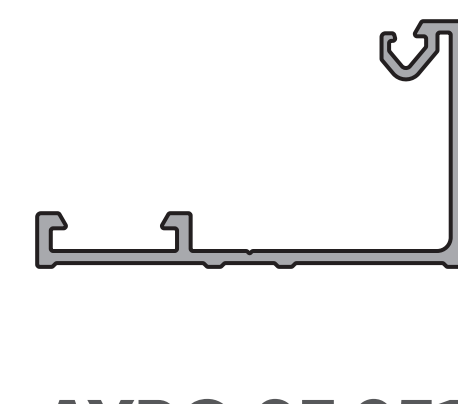
AYPC.SF.1509
Threshold door stop for double leaf door



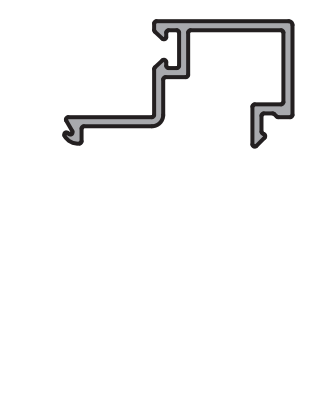
AYPC.SF.1506
Glass stop center hung door header



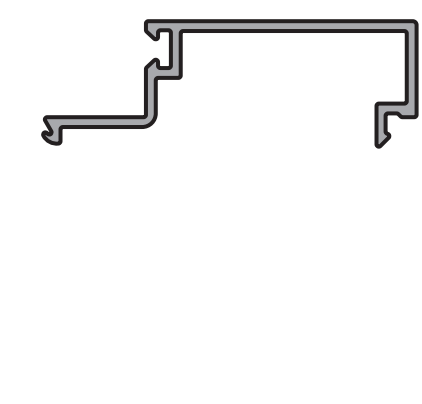
AYPC.SF.2506
Sash



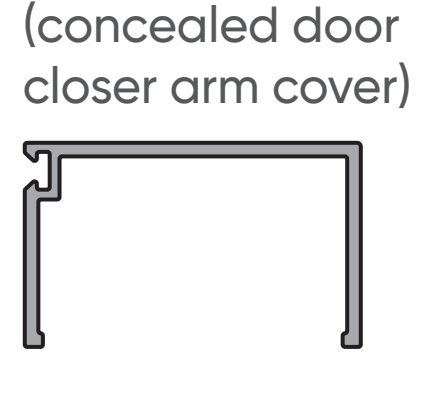
AYPC.SF.1507
Door stop



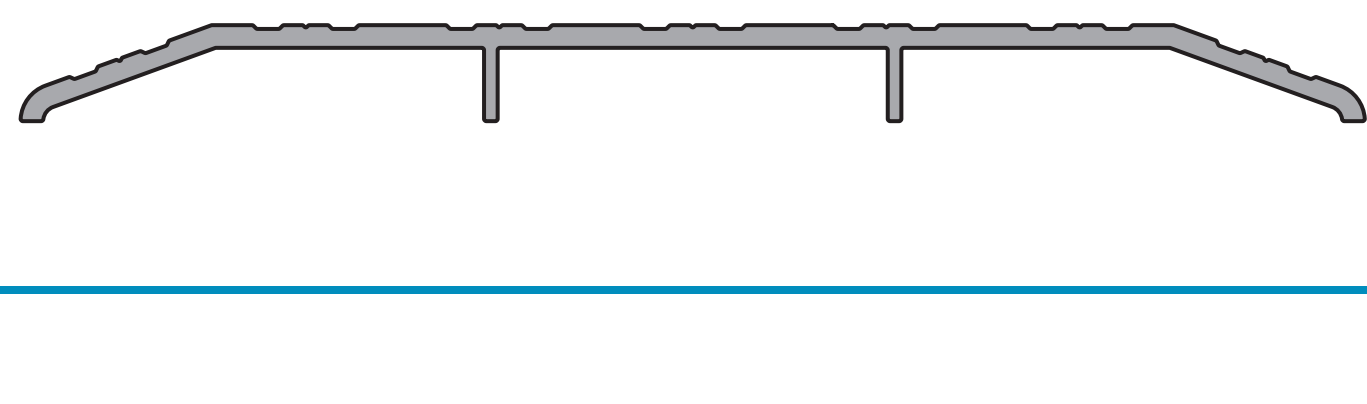
AYPC.SF.2507
Door stop



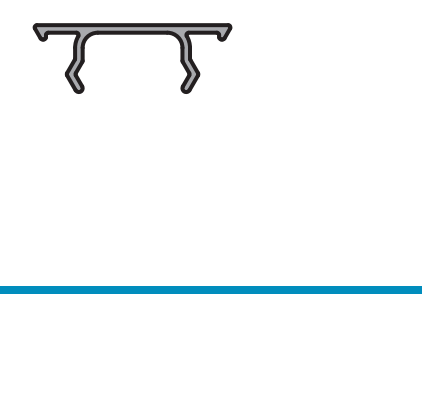
AYPC.SF.1508
Door stop (concealed door closer arm cover)



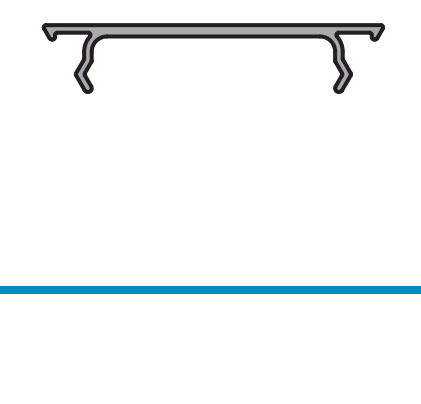
AYPC.SF.1307
Threshold 7"



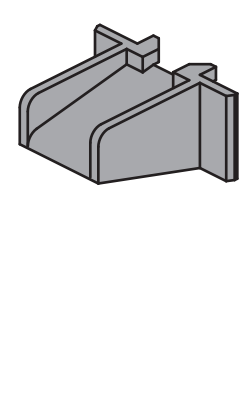
AYPC.SF.1510
Glass pocket filler



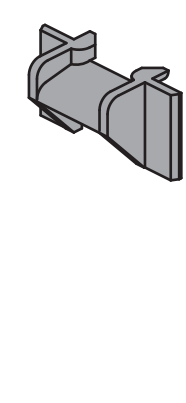
AYPC.SF.2510
Glass pocket filler



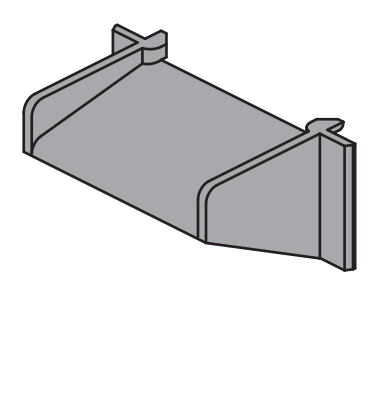
AYPC.SF.1701
Water deflector for deep pocket



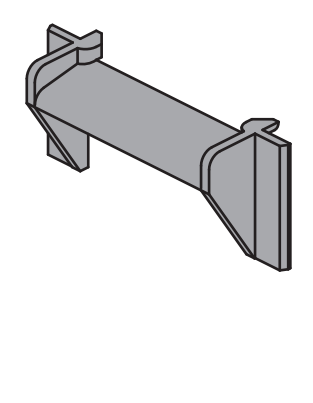
AYPC.SF.1701-01
Water deflector for shallow pocket



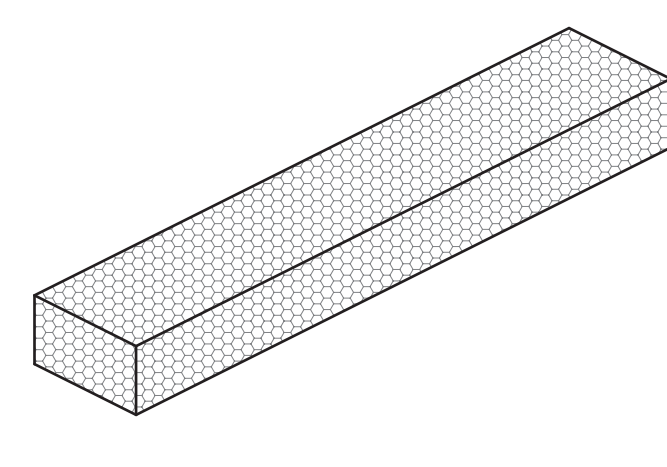
AYPC.SF.2701
Water deflector for deep pocket



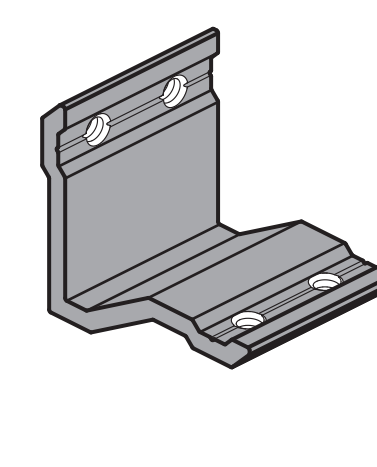
AYPC.SF.2701-01
Water deflector for shallow pocket



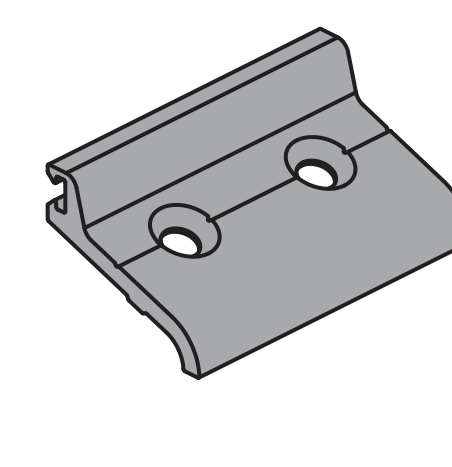
AYPC.SF.1705
Weep Baffle



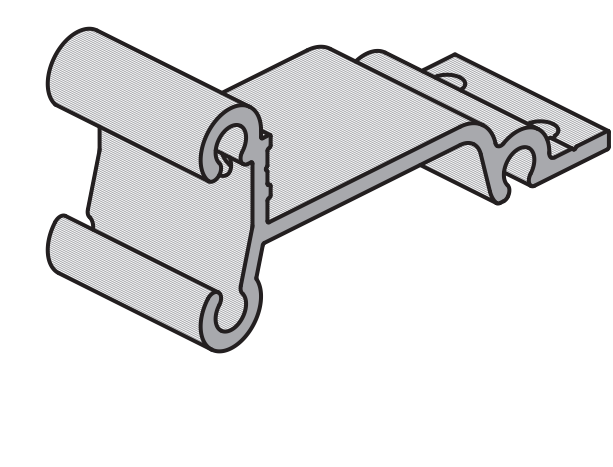
AYPC.SF.1703
Threshold clip



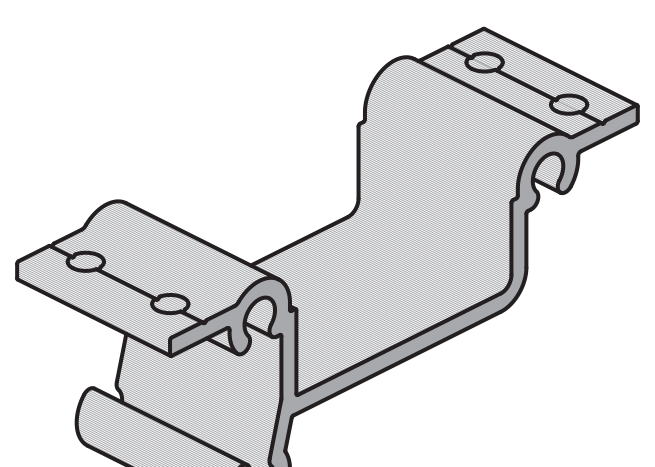
AYPC.SF.1704
Threshold door stop



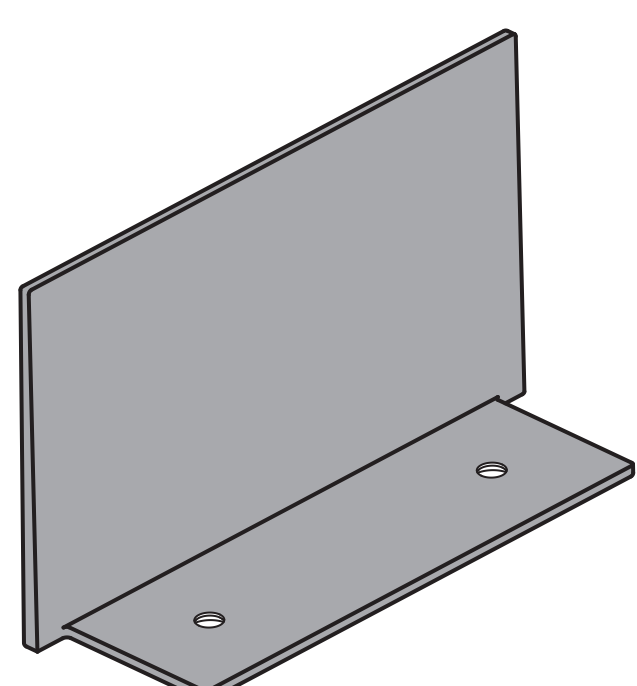
AYPC.SF.2702
Shear block



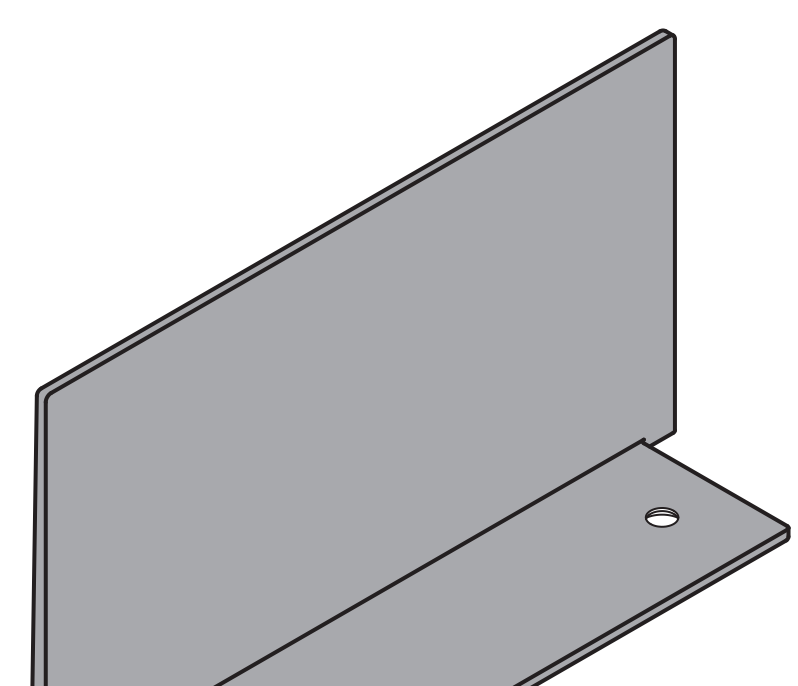
AYPC.SF.2703
Shear block



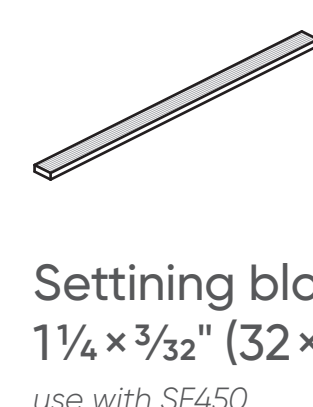
AYPC.SF.1706
End dam



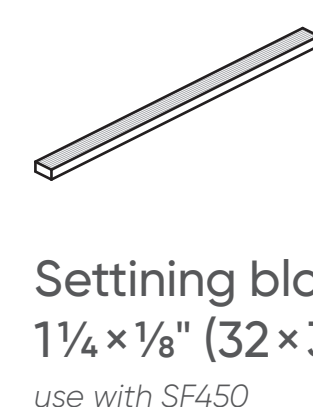
AYPC.SF.2706
End dam



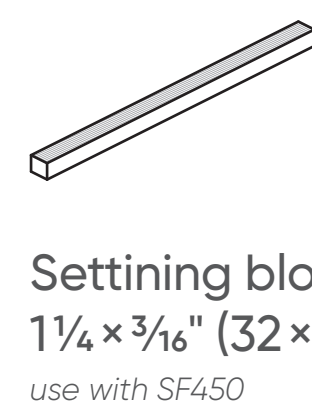
AYPC.110.0902
Setting block
1/2 x 3/32" (12 x 2 mm)
use with SF400



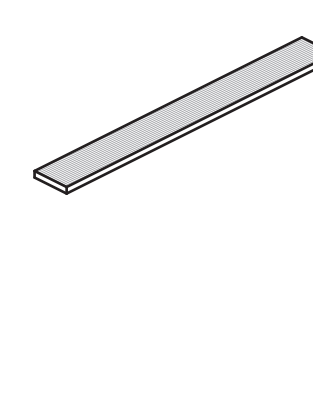
AYPC.110.0903
Setting block
1/2 x 1/8" (12 x 3 mm)
use with SF400



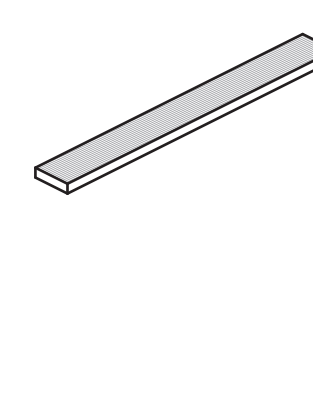
AYPC.110.0905
Setting block
1/2 x 3/16" (12 x 5 mm)
use with SF400



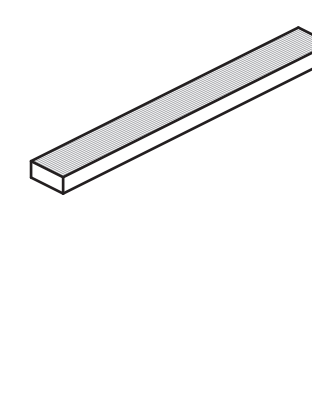
Setting block
1 1/4 x 3/32" (32 x 2 mm)
use with SF450



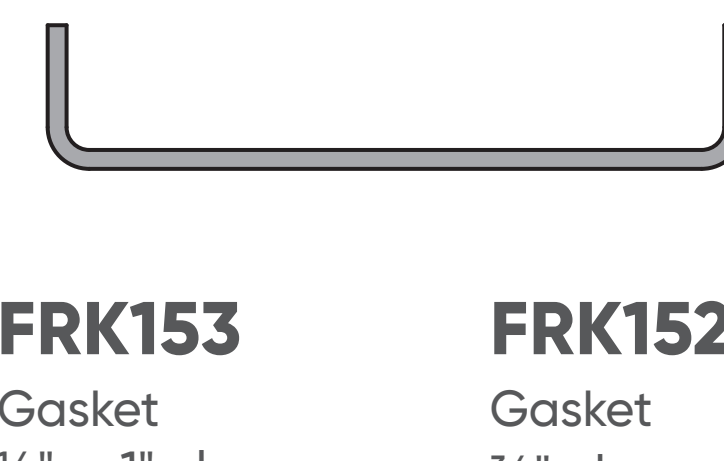
Setting block
1 1/4 x 1/4" (32 x 3 mm)
use with SF450



Setting block
1 1/4 x 3/16" (32 x 5 mm)
use with SF450



AYPC.SF.1721
Subsill
use with SF400



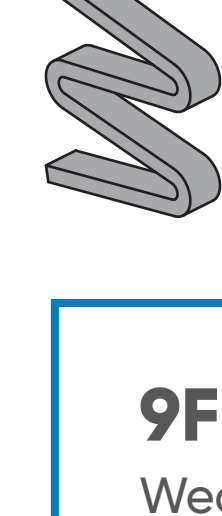
FRK153
Gasket
1/4" or 1" glass



FRK152
Gasket
3/8" glass



W-block



2:1

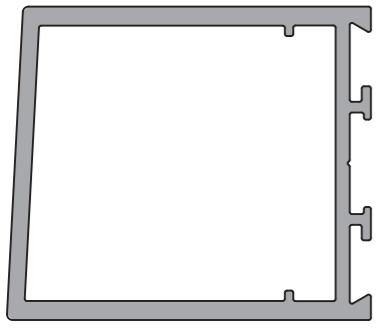
9FE/04
Weather brush strip



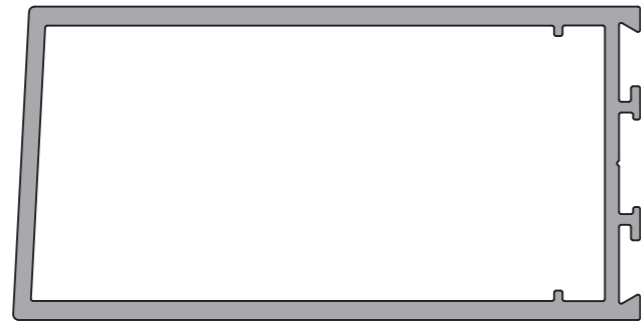
FRK95
Rebate ledge gasket



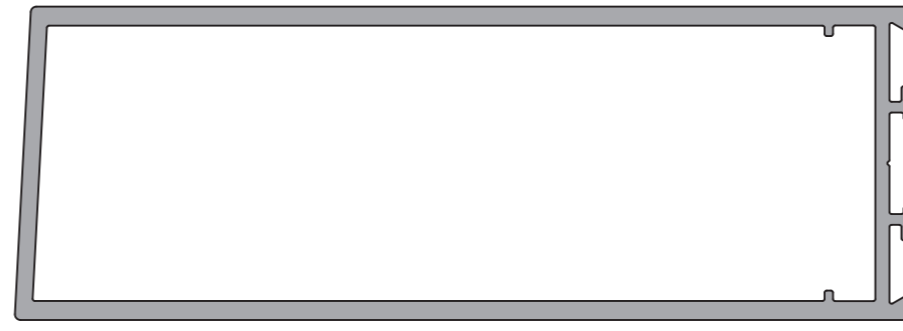
AYPC.SF.3101
Beveled hinge stile 2"



AYPC.SF.3102
Beveled hinge stile 3 1/2"



AYPC.SF.3103
Beveled hinge stile 5"



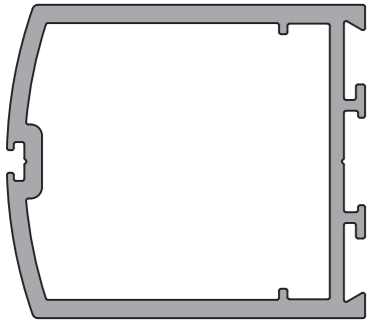
AYPC.SF.3401
Door glass stop
for 1/4" single glass



AYPC.SF.3402
Door glass stop
for 1" insulated glass unit



AYPC.SF.3104
Center pivot stile 2"



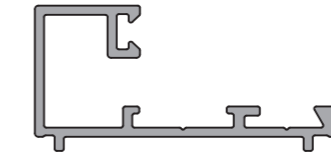
AYPC.SF.3105
Center pivot stile 3 1/2"



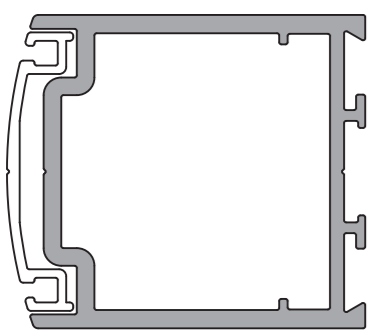
AYPC.SF.3106
Center pivot stile 5"



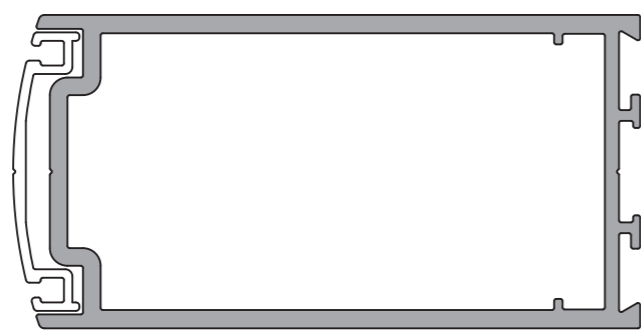
AYPC.SF.3403
Burglar resistant door glass stop
for 1/4" single glass



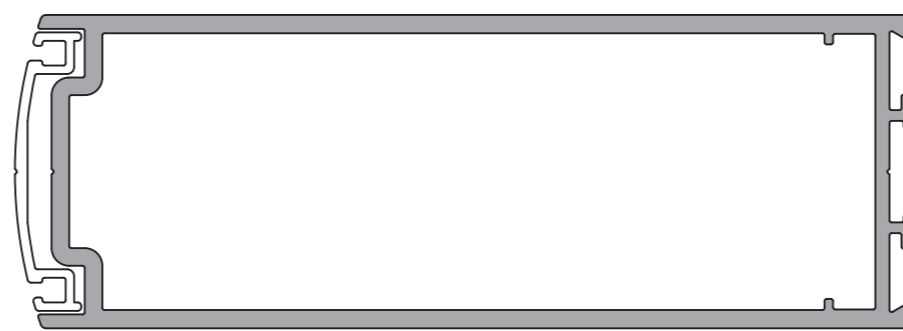
AYPC.SF.3107
Active meeting stile 2"



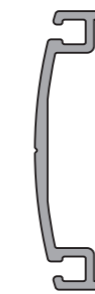
AYPC.SF.3108
Active meeting stile 3 1/2"



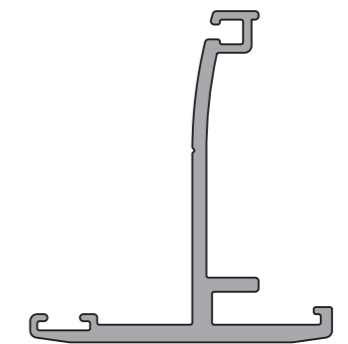
AYPC.SF.3109
Active meeting stile 5"



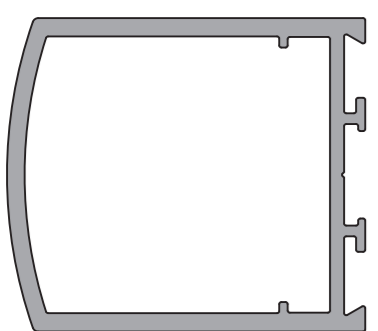
AYPC.SF.3601
Adjustable astragal
plate



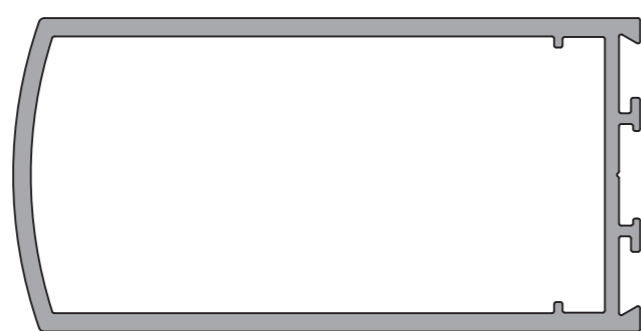
AYPC.SF.3602
Overlapping
astragal plate



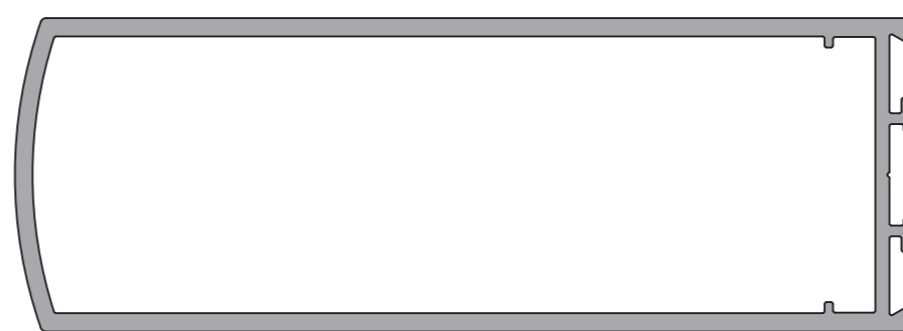
AYPC.SF.3110
Inactive stile 2"



AYPC.SF.3111
Inactive stile 3 1/2"



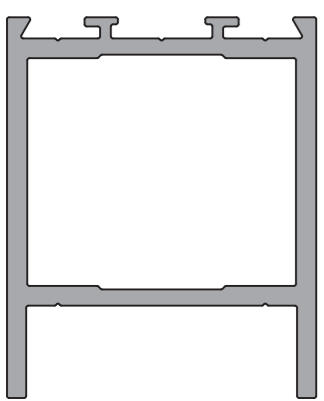
AYPC.SF.3112
Inactive stile 5"



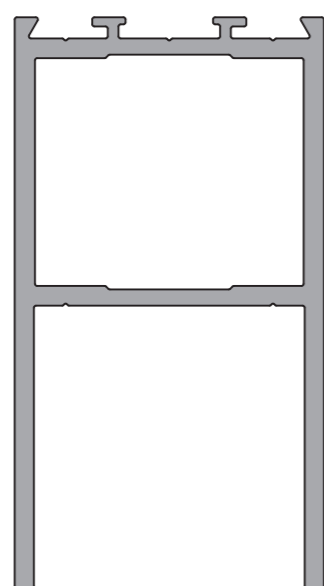
AYPC.SF.3603
Channel spacer for concealed door closer slide
channel installation
matching with AYPC.SF.3202, AYPC.SF.3204, AYPC.SF.3205



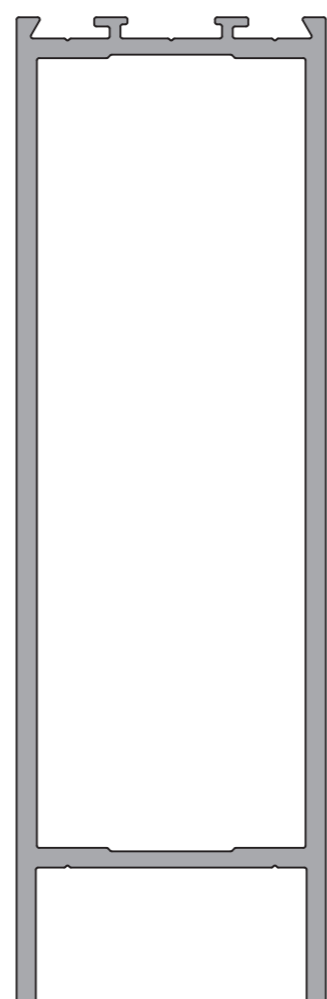
AYPC.SF.3201
Top rail 2 1/8"



AYPC.SF.3202
Bottom/top rail 3 3/16"



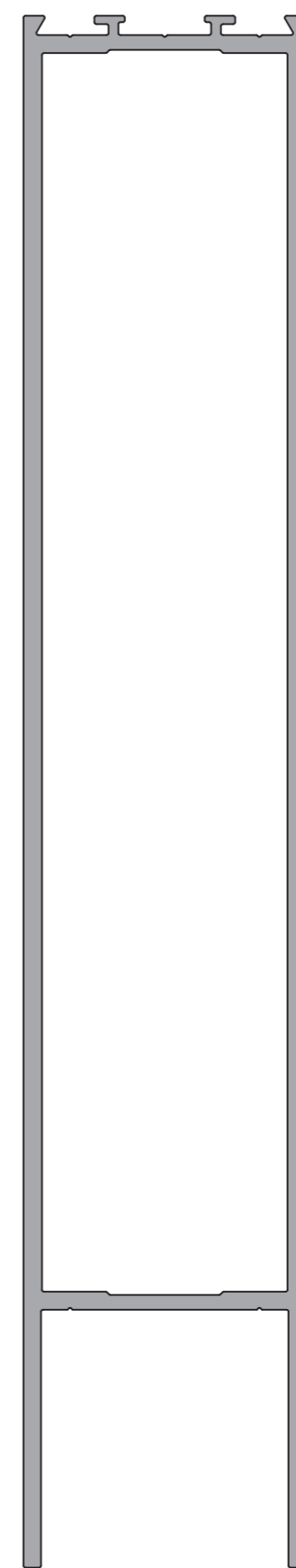
AYPC.SF.3203
Top rail 5 1/2"



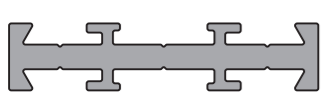
AYPC.SF.3204
Bottom/top rail 6 1/2"



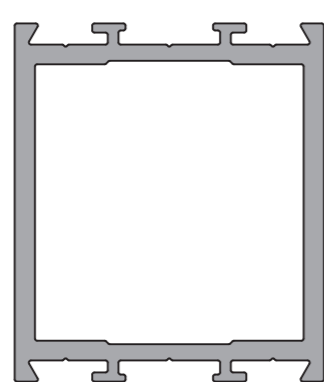
AYPC.SF.3205
Optional bottom rail 9 1/2"



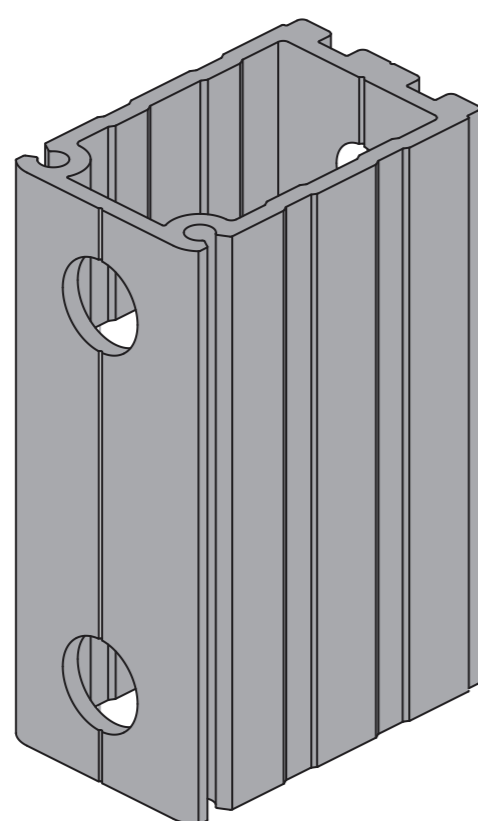
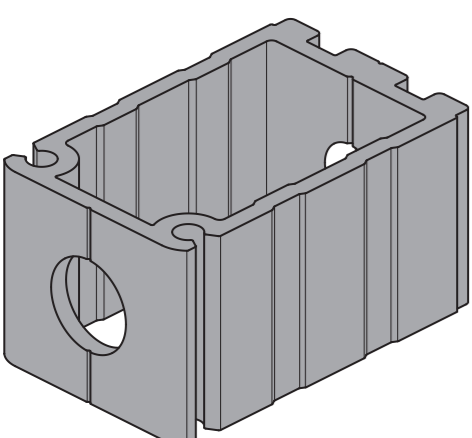
AYPC.SF.3301
Middle rail 3/8"



AYPC.SF.3302
Middle rail 2"



AYPC.SF.3704
Shear block
*required for AYPC.SF.3201,
AYPC.SF.3202*

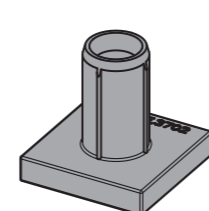


AYPC.SF.3704-02
Shear block
required for AYPC.SF.3203

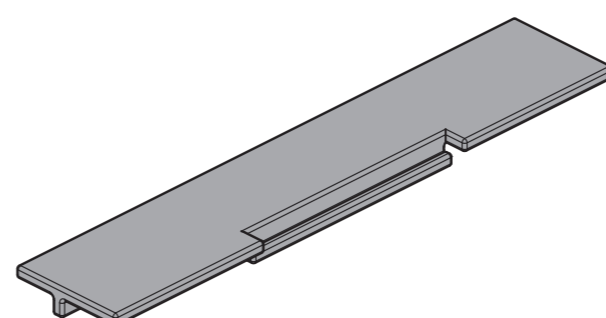
AYPC.SF.3704-03
Shear block
required for AYPC.SF.3204

AYPC.SF.3704-04
Shear block
required for AYPC.SF.3205

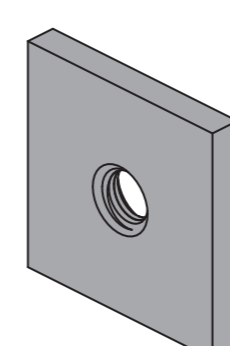
AYPC.SF.3702
Adjustable setting
block



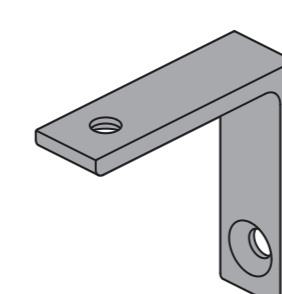
AYPC.SF.3701
Setting/edge block



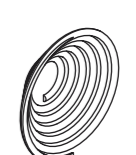
AYPC.SF.3703
Embedded block




AYPC.SF.3705
Intermediate rail bracket
required for AYPC.SF.3301, AYPC.SF.3302




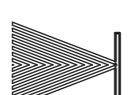
ST15690
Cone spring



2:1

FRK59
EPDM rubber
gasket


SK10.134BLK
Astragal weather
strip


PB048.0750-FP
Felt sealing


**Astragal weather
strip**
